

Micrometer

Outside Micrometers SERIES 102

- Heat-insulated frame.
- Cut-away frame (behind anvil) for measuring in hard-to-reach places.
- Equipped with Ratchet Stop for constant measuring force.
- Measuring faces: Carbide.
- In addition to standard specification, a non-rotating spindle type tooth thickness micrometer (refer to page B-40 for details) is also available.

B



Ratchet stop
102-301

SPECIFICATIONS

Metric								
Order No.	Range (mm)	Graduation (mm)	Measuring force (N)	Maximum permissible error J_{MPE} (μm)	Flatness (μm)	Parallelism (μm)	Constant measuring force	
102-301	0 - 25	0.01	5 - 10	± 2	0.6	2	Ratchet stop	
102-302	25 - 50							
102-303	50 - 75							
102-304	75 - 100							

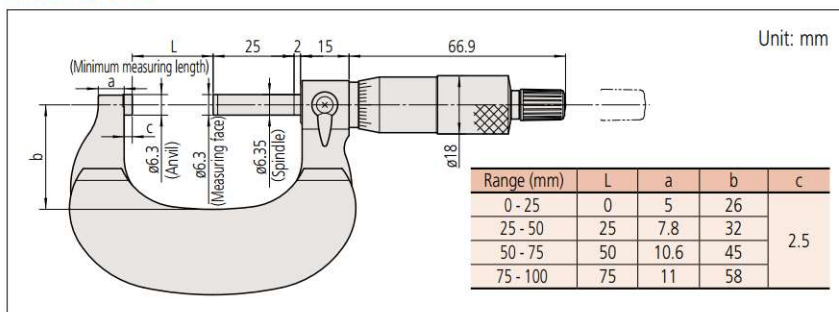
Metric								
Order No.	Range (mm)	Graduation (mm)	Measuring force (N)	Maximum permissible error J_{MPE} (μm)	Flatness (μm)	Parallelism (μm)	Constant measuring force	
102-311	0 - 25	0.001	5 - 10	± 1	0.3	1	Ratchet stop	
102-313							Friction thimble	
102-312							Ratchet stop	

Inch								
Order No.	Range (in)	Graduation (in)	Measuring force (N)	Maximum permissible error J_{MPE} (in)	Flatness (in)	Parallelism (in)	Constant measuring force	
102-327-10	0 - 1	0.0001	5 - 10	± 0.0001	0.000024	0.00008	Ratchet stop	
102-329-10							Friction thimble	
102-328-10	1 - 2						Ratchet stop	
102-330-10							Friction thimble	
102-331-10	2 - 3						Ratchet stop	
102-332-10	3 - 4						Ratchet stop	

Metric Micrometer set		
Order No.	Range (mm)	Models included
102-911-40	0 - 100 (Four micrometers per set)	<ul style="list-style-type: none"> • 102-301 • 102-302 • 102-303 • 102-304 • 3 micrometer standards

- Standard accessories: Setting standard, 1 pc. (except for measuring range 0 to 25 mm models)
- Spanner (301336), 1 pc. (for measuring range 0 to 25 mm/25 to 50 mm models)
- Spanner (200877), 1 pc. (for measuring range 50 to 75 mm/75 to 100 mm models)

DIMENSIONS



Measurement example



Mechanism

